

# DB2/PRO/GREY

## EZVIZ 5MP Wi-Fi Battery-powered Video Doorbell Kit



### Introduction

The DB2 Pro wire free video doorbell kit includes a battery-powered doorbell and a chime which can ensure you a reliable protection at your doorstep, you can enjoy high-quality video chat with visitors and keep an eye on what's happening at your front door right through your phone via the EZVIZ app. Meanwhile, you won't miss an alert at home thanks to the chime included in our package.

### Main Features



2K+ Resolution



Ultra-Wide FOV (176° diagonal)



Advanced PIR Motion Detection and Human Motion Detection



Tamper Alarm



5200mAh Rechargeable Lithium Battery, standby up to 400 day



Infrared Night Vision up to 5m/20ft

**H.265**

H.265 Video Technology



Wi-Fi Chime Included (Supports Micro SD card up to 256GB)



IP65 weatherproof



Extend Wi-Fi signal (Chime)

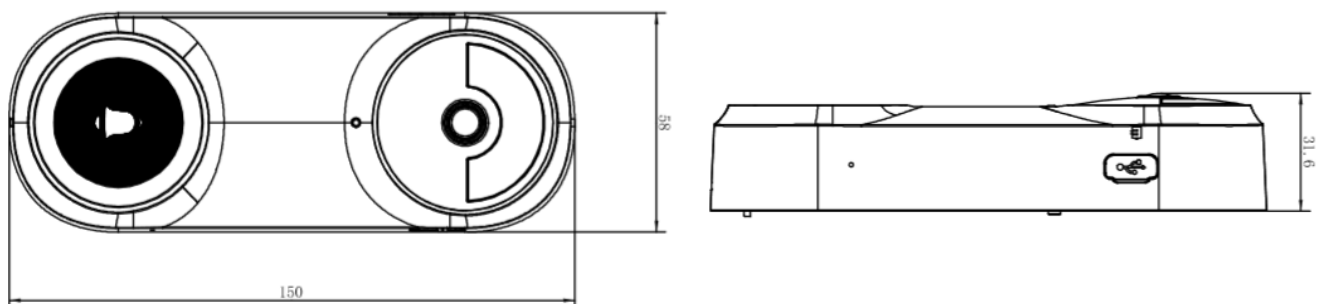


Two-way talk



Support multiple Ringtones

### Dimension



# Specifications

<b>Model</b>	<b>CS-DB2-A0-2C5WPFBR</b>
<b>Camera Parameters</b>	
<b>Image Sensor</b>	1/2.7" Progressive Scan CMOS (Supports low light sensitivity)
<b>Lens</b>	2.0 mm @ F2.0, view angle: 176° (Diagonal)
<b>Day &amp; Night</b>	IR-cut filter with auto-switching
<b>Video Parameters</b>	
<b>Max. Resolution</b>	2544 × 1888
<b>DNR</b>	2D/3D DNR
<b>Video Compression</b>	H.265 / H.264
<b>Frame Rate</b>	Max: 15fps; Self-Adaptive during network transmission
<b>PIR Sensor</b>	
<b>Sensing Angle</b>	100°
<b>Sending Distance</b>	Max. 5 m (16.4 ft)
<b>Sensitivity</b>	User adjustable (High, Medium and Low Sensitivity)
<b>Interface</b>	
<b>Audio Input</b>	Built-in high-sensitivity microphone
<b>Audio Output</b>	Built-in high-power speaker
<b>Reset button</b>	Yes
<b>Network Parameters</b>	
<b>Protocol</b>	EZVIZ Cloud Proprietary Protocol
<b>Interface Protocol</b>	EZVIZ Cloud Proprietary Protocol
<b>Functions</b>	
<b>Intelligent Alarm</b>	PIR + human shape smart motion detection
<b>Tamper Alarm</b>	Sound and light anti-dismantling alarm (supports sending alerts to the smartphone)
<b>Video Intercom</b>	Long-distance video two way talk
<b>Wi-Fi Parameters</b>	
<b>Wi-Fi Standard</b>	IEEE802.11b, 802.11g, 802.11n
<b>Frequency Range</b>	2.4GHz ~ 2.4835GHz
<b>Channel Bandwidth</b>	Supports 20MHz
<b>Security</b>	64/128-bit WEP, WPA/WPA2,WPA-PSK/WPA2-PSK
<b>Transmission Rate</b>	11b: 11Mbps,11g: 54Mbps,11n: 150Mbps
<b>General</b>	
<b>Operation Conditions</b>	-20°C to 50°C (-4°F to 122°F), Humidity 95% or less (non-condensing)
<b>Ingress Protection Grade</b>	IP65
<b>Weight</b>	241.35 g (8.5 oz)
<b>Size</b>	150 × 58 × 32 mm (5.91 × 2.28 × 1.24 inch)
<b>Battery Capacity</b>	5200mAh rechargeable lithium battery
<b>Power Supply</b>	DC5V±10% 2A
<b>Power Consumption</b>	Max. 2W
<b>Chime</b>	
<b>Size</b>	100 × 55 × 35 mm (3.94 × 2.17 × 1.38 inch)
<b>Power Supply</b>	AC 110 ~ 240V
<b>Wi-Fi Standard</b>	IEEE802.11b, 802.11g, 802.11n
<b>Audio Output</b>	72dB within 1 meter
<b>Storage</b>	Supports microSD card up to 256 GB
<b>Weight</b>	120 g (4.2 oz)